

SRD05 FLOATING DAMPER ACTUATOR

DESCRIPTION

SRD05 floating damper actuator uses bi-directional AC motor. It is compact designed, small volume, and has high IP class and various torques. It is widely used for damper control in air-conditioning system, and angular travel control and zone valve control in water circuit.



CHARACTERISTICS

- VARIOUS TORQUES
—— 2, 4, 6, 8, 15, 20 Nm
- HIGH DEPENDABLE PERFORMANCE
—— Adjustable limiter
—— With overload protection function, the actuator will stop automatically at the end of stroke without limit switch.

- SIMPLE AND CONVENIENT FUNCTION TESTING

It is also convenient to test the function of damper operation: push the manual button on the actuator, the gears inside the actuator will break away. The damper can be operated manually as keeping push the manual button. PLEASE DO NOT OPERATE WHEN POWER IS ON!

- SIMPLE INSTALLATION

Square shaft type: Fix with square damper shaft. Damper shaft dimensions: $\varnothing 10\sim 16$ $\square 8\sim 11$

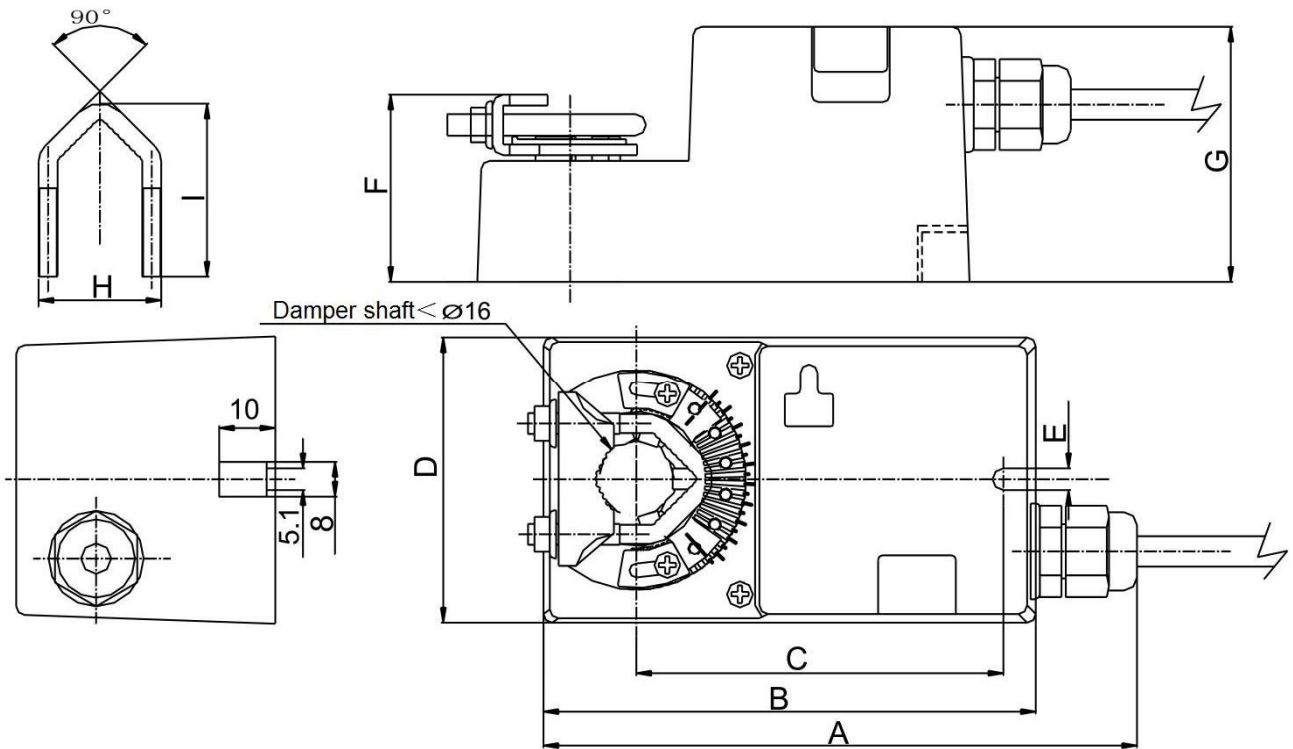
SPECIFICATIONS AND TECHNICAL DATA

MODEL	SRD05-02XXX	SRD05-04XXX	SRD05-06XXX	SRD05-08XXX	SRD05-15XXX	SRD05-20XXX
TORQUE	$\geq 2\text{Nm}$	$\geq 4\text{Nm}$	$\geq 6\text{Nm}$	$\geq 8\text{Nm}$	$\geq 15\text{Nm}$	$\geq 20\text{Nm}$
POWER CONSUMPTION	24V, 110V and 120V products: 3VA 220V and 230V products: 6VA				24V: 4.5VA 220V: 8VA	
OPERATION TIME (90°)	108s (50Hz) / 90s (60Hz)					
CABLE	0.5~1.5mm ² ; 500mm					
ROTATE ANGLE	90° < Mechanical limitation ≤ 95°					
NOISE LEVEL	Maximum 45dB(A)					
IP CLASS	IP 54					
AMBIENT TEMP.	-5°C ~ +50°C					
STORAGE TEMP.	-30°C ~ +70°C					
USEFUL LIFE	>60000 cycles					

Notice: Power supply: rated voltage $\pm 10\%$

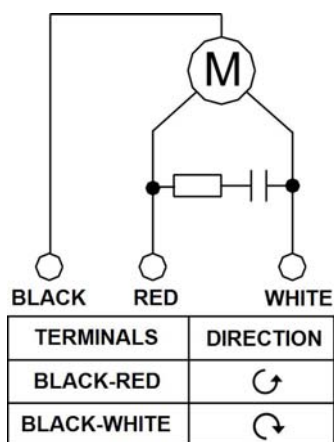
XXX indicates the voltage of power supply.

DIMENSIONS (mm)



Model	Dimensions (mm)								
	A	B	C	D	E	F	G	H	I
SRD05-02XXX... SRD05-08XXX	138	114	85	66	5.1	43	59	24	40
SRD05-15XXX... SRD05-20XXX	163	139	100	90	5.1	46	69	27.5	55

WIRING



INSTALLATION POSITION & IP CLASS

